

**BN4-CHSS SERIES ENCLOSURES
NEMA 4X JIC CONTINUOUS HINGE WALL-MOUNT**


BN4141206CHSS

Industry Standards

UL 50, Types 4, 4X, 12 & 13
CSA Certified, Types 4 & 12
NEMA/EEMAC Type 4, 4X, 12 & 13
JIC EL-1-71

 UL File E6924

 CSA File LL66078

FEATURES-SPECIFICATIONS
Applications

Provides unmatched protection for housing electrical components in highly corrosive environments. This enclosure is used in indoor and outdoor settings that are frequently wet or have constant exposure to water, other liquids, or contaminants.

Construction

- Bodies and doors fabricated from 16 gauge type 304 stainless steel or 16 gauge type 316 stainless steel
- Continuously welded seams ground smooth, less knockouts or holes
- Closed cell oil resistant neoprene gasket
- External mounting feet
- Weldnuts are provided on models 6.00" x 4.00" and larger to secure optional back panel
- Stainless steel screws and clamps, equal to enclosure construction, on three sides of cover assure watertight seal
- Door removed by pulling stainless steel continuous hinge pin
- Grounding provisions provided
- **Optional** panels and terminal kits must be ordered separately

Finish

- Cover and outside of enclosure have a smooth grained finish
- **Optional** back panels are white polyester powder over phosphatized surfaces or grained finish stainless steel

Accessories

- Back panels (reference tables)
- See pages J1-J19

BN4-CHSS SERIES JIC CONTINUOUS HINGE STAINLESS ENCLOSURES

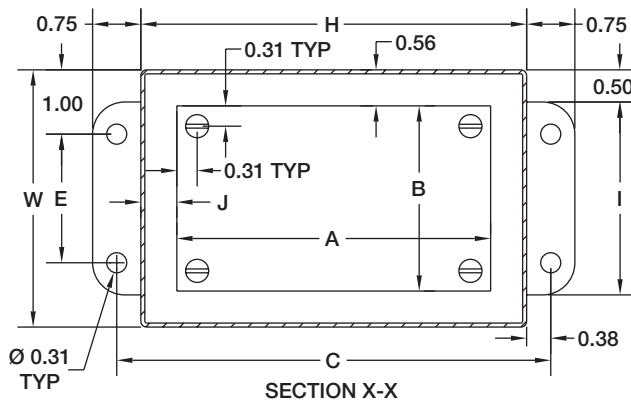
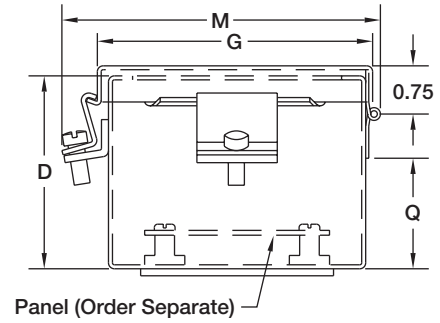
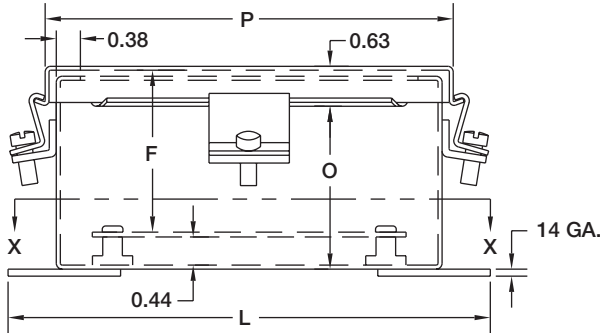
CATALOG NUMBER	BODY/DOOR STEEL GAUGE	ENCLOSURE SIZE H X W X D	BACK PANEL CAT. NUMBER* WHITE/304 S.S.	BACK PANEL SIZE A X B	MOUNTING C X E	OVERALL L X M	F	G	I	J	K	N	O	P	Q
BN4060404CHSS BN4060404CHSSA ◀	16/16	6.00x4.00x4.00 (152x102x102)	P0604 P0604SS ◀	4.88x2.88 (124x73)	6.75x2.00 (171x51)	7.50x5.00 (191x127)	3.53 (90)	4.31 (109)	3.00 (76)	0.56 (14)	1.38 (35)	2.38 (60)	3.53 (90)	6.31 (160)	2.78 (71)
BN4060604CHSS BN4060604CHSSA	16/16	6.00x6.00x4.00 (152x152x102)	P0606 P0606SS ◀	4.88x4.88 (124x124)	6.75x4.00 (171x102)	7.50x7.00 (191x178)	3.53 (90)	6.31 (160)	5.00 (127)	0.56 (14)	2.38 (60)	2.38 (60)	3.53 (90)	6.31 (160)	2.78 (71)
BN4080604CHSS BN4080604CHSSA ◀	16/16	8.00x6.00x4.00 (203x152x102)	P0806 P0806SS ◀	6.88x4.88 (175x124)	8.75x4.00 (222x102)	9.50x7.00 (241x178)	3.53 (90)	6.31 (160)	5.00 (127)	0.56 (14)	2.38 (60)	3.38 (86)	3.53 (90)	8.31 (211)	2.78 (71)
BN4100804CHSS BN4100804CHSSA	16/16	10.00x8.00x4.00 (254x203x102)	P1008 P1008SS ◀	8.88x6.88 (226x175)	10.75x6.00 (273x152)	11.50x9.00 (292x229)	3.53 (90)	8.31 (211)	7.00 (178)	0.56 (14)	3.38 (86)	1.50 (38)	3.53 (90)	10.31 (262)	2.78 (71)
BN4121006CHSS BN4121006CHSSA	16/16	12.00x10.00x6.00 (305x254x152)	P1210 P1210SS ◀	10.88x8.88 (276x226)	12.75x8.00 (324x203)	13.50x11.00 (343x279)	5.53 (141)	10.31 (262)	9.00 (229)	0.56 (14)	2.00 (51)	3.00 (76)	5.53 (141)	12.31 (313)	4.78 (121)
BN4121206CHSS BN4121206CHSSA ◀	16/16	12.00x12.00x6.00 (305x305x152)	P1212 P1212SS ◀	10.88x10.88 (276x276)	12.75x10.00 (324x254)	13.50x13.00 (343x330)	5.53 (141)	12.31 (313)	11.00 (279)	0.56 (14)	2.50 (64)	2.50 (64)	5.53 (141)	12.31 (313)	4.78 (121)
BN4141206CHSS BN4141206CHSSA	16/16	14.00x12.00x6.00 (356x305x152)	P1412 P1412SS ◀	12.88x10.88 (327x276)	14.75x10.00 (375x254)	15.50x13.00 (394x330)	5.53 (141)	12.31 (313)	11.00 (279)	0.56 (14)	2.00 (51)	3.00 (76)	5.53 (141)	14.31 (364)	4.78 (121)
BN4161406CHSS BN4161406CHSSA	16/16	16.00x14.00x6.00 (406x356x152)	P1614 P1614SS ◀	14.88x12.88 (378x327)	16.75x12.00 (425x305)	17.50x15.00 (445x381)	5.53 (141)	14.31 (363)	13.00 (330)	0.56 (14)	3.50 (89)	1.50 (38)	5.53 (141)	16.31 (414)	4.78 (121)

◀ NEW PRODUCT IN 2003

*Back panels must be ordered separately.


WIEGMANN®

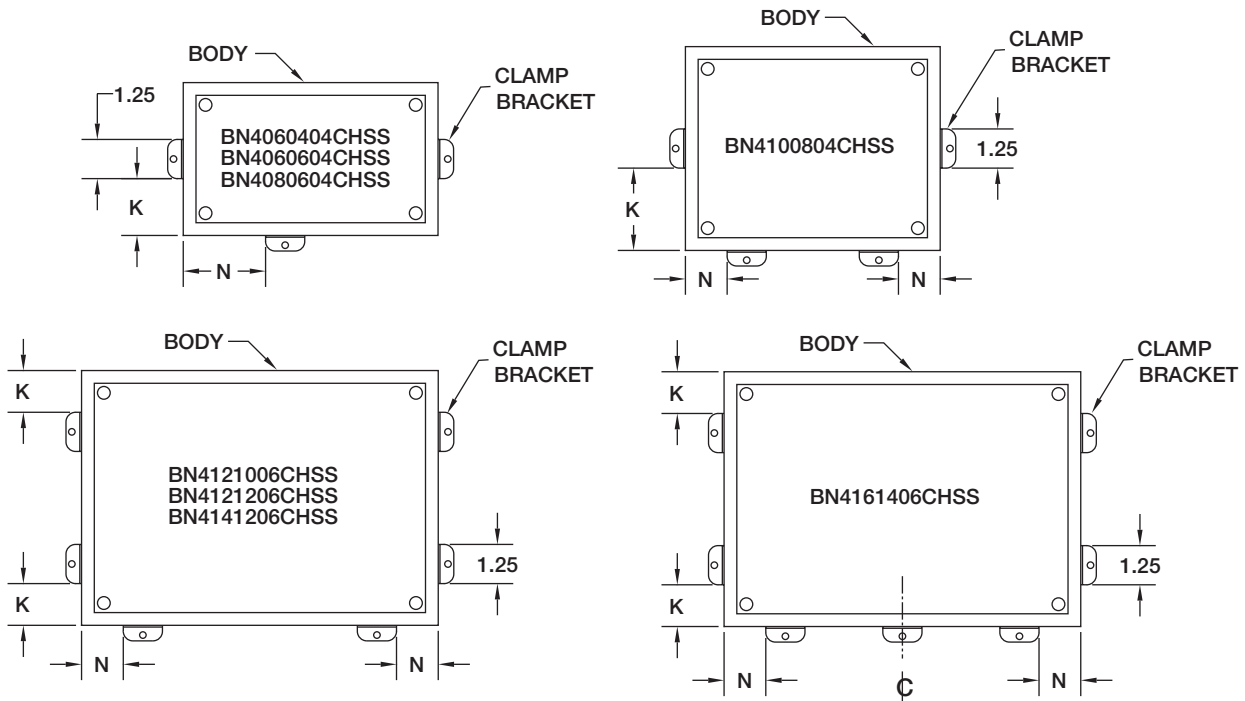
**BN4-CHSS SERIES ENCLOSURES
NEMA 4X JIC CONTINUOUS HINGE WALL-MOUNT**



Notes:

- 1. Panels are 14 Ga. steel.
- 2. Panel screws are #10-32 Pan Head.

CLAMP BRACKET LOCATIONS





P0808

FEATURES-SPECIFICATIONS

Description

- 14 gauge (carbon and stainless)
- White polyester powder finish on steel panels
- Aluminum panels are 5052-H32 aluminum alloy, .080-inch thick
- Panels fit the following enclosures:
 - B
 - BCH
 - BN4
 - BN4CH
 - BN4SS
 - BN4CHSS
 - BN4AL
 - BN4CHAL

BACK PANELS FOR JIC ENCLOSURES			
CATALOG NUMBER			PANEL SIZE A X B
PAINTED STEEL (WHITE)	304 STAINLESS STEEL	ALUMINUM	
P0604	P0604SS	P0604AL	4.88x2.88 (124x73)
P0606	P0606SS	P0606AL	4.88x4.88 (124x124)
P0806	P0806SS	P0806AL	6.88x4.88 (175x124)
P0808	—	—	6.88x6.88 (175x175)
P1008	P1008SS	P1008AL	8.88x6.88 (226x175)
P1010	—	—	8.88x8.88 (226x226)
P1206	—	—	10.88x4.88 (276x124)
P1210	P1210SS	P1210AL	10.88x8.88 (276x226)
P1212	P1212SS	—	10.88x10.88 (276x276)
P1408	—	—	12.88x6.88 (327x175)
P1412	P1412SS	P1412AL	12.88x10.88 (327x276)
P1610	—	—	14.88x8.88 (378x226)
P1614	P1614SS	P1614AL	14.88x12.88 (378x327)

